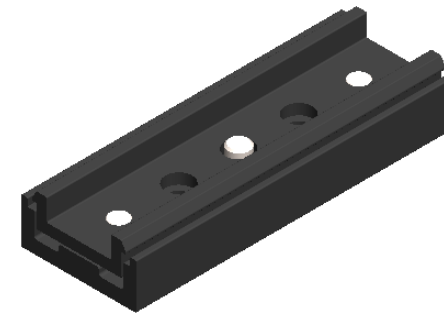
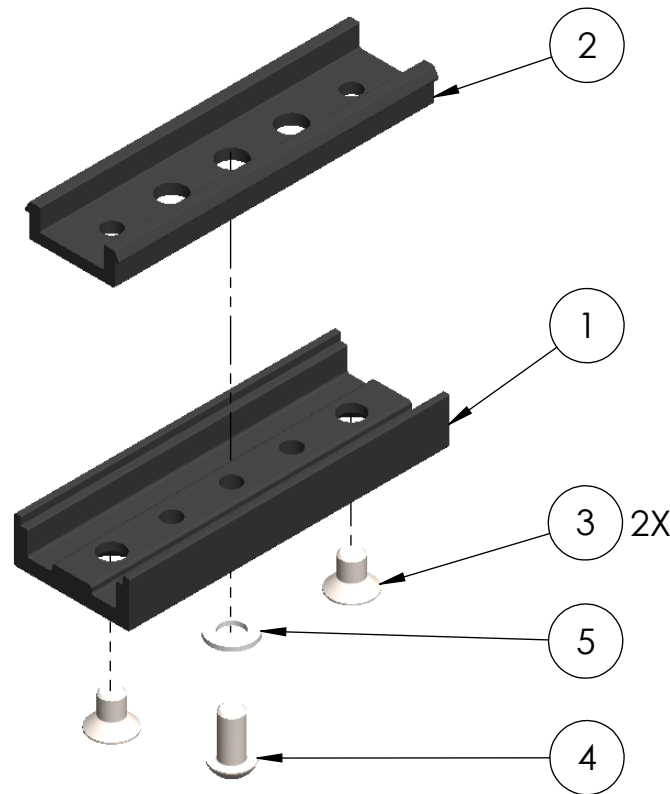
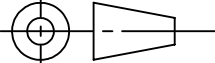


REVISIONS				
REV.	DESCRIPTION	ECO	DATE	CHANGED BY
A	New Item		24/01/2023	BAR



ITEM NO.	PART NUMBER	DESCRIPTION	QTY.
1	17020049	Slimline Touring Clamp Bottompart	1
2	17020047	Slimline Touring Clamp Toppart	1
3	06131300	ISO 10642, M8x12, hex socket countersunk head, SS A2	2
4	06131201	ISO 7380-1, M8x16, hex socket button head, SS A2	1
5	06134401-A	ISO 7089, M8 Washer, 8,4x16x1,6, Polyamid	1

 <p>All Dimensions are in mm</p>	<p>DEBURR AND BREAK SHARP EDGES</p> <p>Last saved by: bar Tuesday, 24 January 2023 11:33:13 Copyright © SGM Light A/S. All rights reserved.</p>
<p>TOLERANCE:</p>	<p>TITLE:</p>
<p>MATERIAL:</p> <p>Material <not specified></p>	<p>83060722-A</p>
<p>FINISH:</p>	<p>DWG NO.</p>
<p>WEIGHT IN GRAMS: 174.97</p>	<p>FIRST USED IN:</p>
<p>DO NOT SCALE DRAWING</p>	<p>SCALE:1:2</p>
<p>SHEET FORMAT: A4</p>	<p>SHEET 1 OF 1</p>


<p>Slimline Touring Clamp</p>
<p>DWG NO.</p> <p>83060722-A</p>
<p>WEIGHT IN GRAMS: 174.97</p>
<p>FIRST USED IN:</p>
<p>DO NOT SCALE DRAWING</p>
<p>SCALE:1:2</p>
<p>SHEET FORMAT: A4</p>
<p>SHEET 1 OF 1</p>